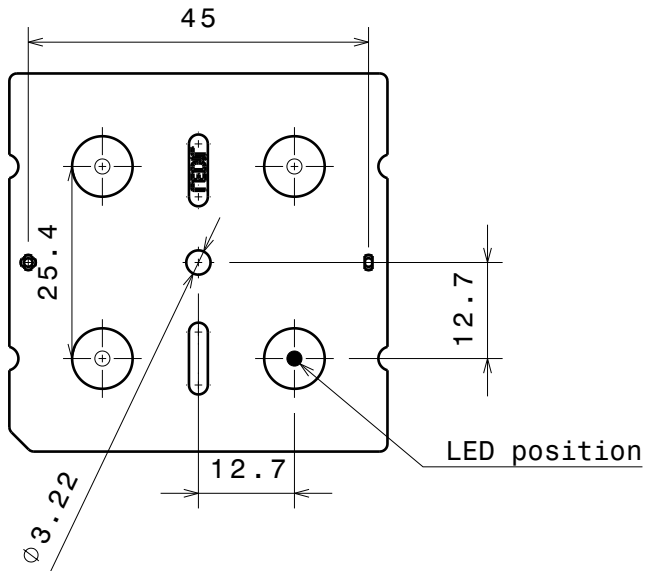
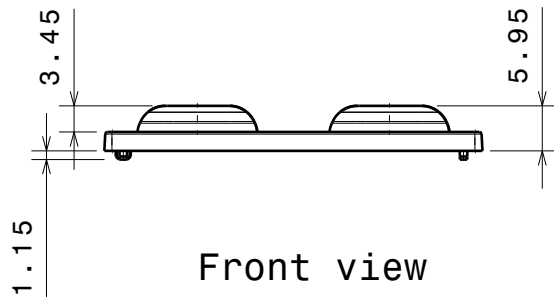
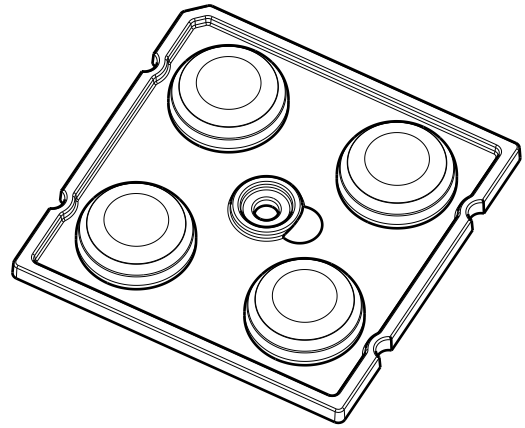


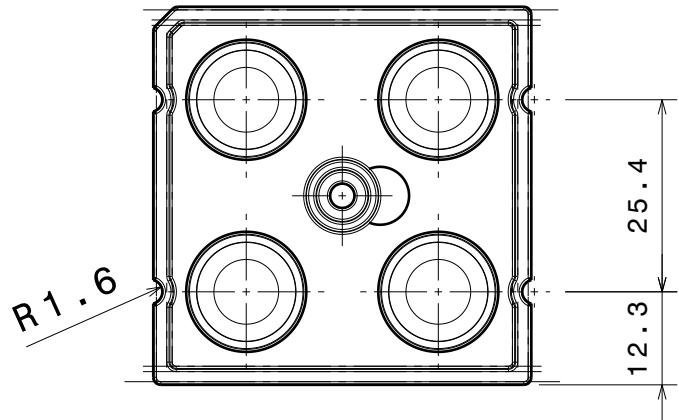
DATE
27.08.2021



Bottom view



Front view



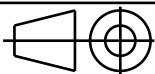
Top view

Plastic moulding general tolerances according to DIN 16901-130 and applies if not otherwise shown in the drawing.

LEDiL

Ledil Oy
SALO
Finland

FIRST ANGLE PROJECTION:



DRAWING TITLE

C13499_STRADA-2X2-CY

This drawing is the property of LEDiL Oy. It may not be reproduced, copied or communicated without a written agreement with LEDiL Oy.

SIZE PART NUMBER

A4

-

SCALE 1:1 WEIGHT

-

SHEET 1/1

D

A